

### Main specification parameter for 330D cat boom cylinder

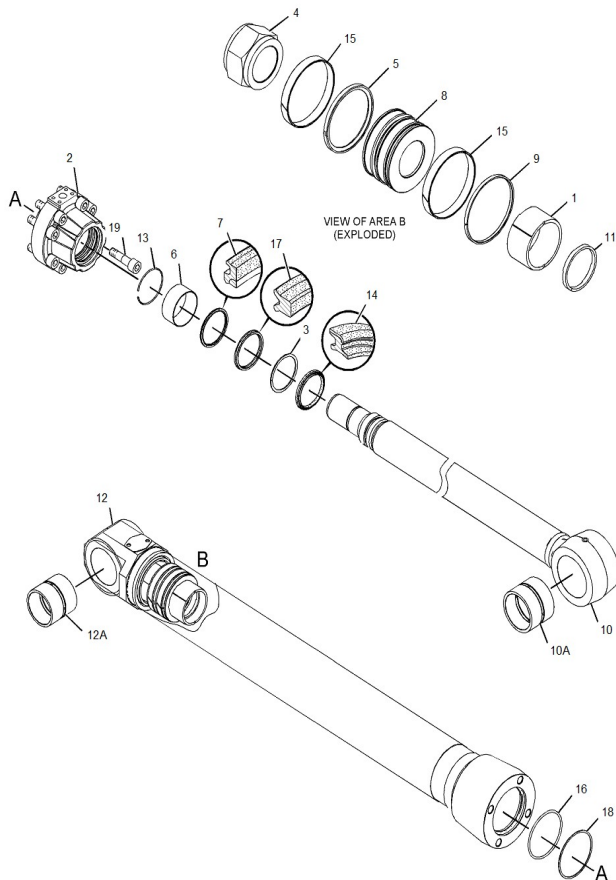
Brand	Model	Product Name	Part Number	Assembly Quantity	Weight
Caterpillar	330D	boom cylinder	3119524	2	318KG



### Compatible Equipment Models: 3119524

330D	330D L	336D	336D L
------	--------	------	--------

### Product Details

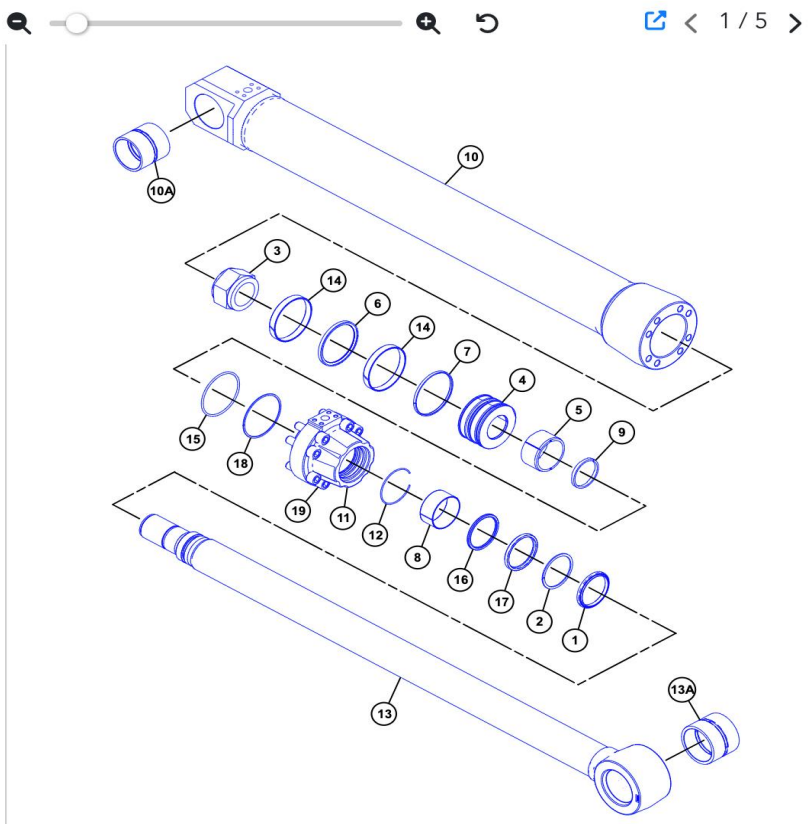


Product Name	cat boom cylinder
Part Number	3119524
Origin	United States
Brand Name	STONE
Model	330D
Price	Negotiable
Packing Details	Standard Export Packing
Delivery Time	0-30 Days
Payment Term	L/C, T/T
Price Term	FOB, CIF, CFR
Supply Capacity	50,000 PCS/Month
Minimum Order Quantity	1 PC
Material	High Quality Steel
Technology	Precision Machining
Surface	Treatment Anti-Corrosion Coating
Hardness	HRC 48-52
Quality	Original Factory Standard
Warranty Time	12 Months or 2000 Hours
After-Sales Service	Full Support, Online Service
Color	Standard Caterpillar Yellow or Customizable
Application	Excavator
Customizable	including customized materials, surface treatment and specifications

# cat boom cylinder

3119524

234-4607 Cylinder & Seal GP-B... EAH1-UP
234-4613 Cylinder & Seal GP-B... EAH1-UP
315-4463 (Type 2) 铲斗油缸总成 EAH1-UP
225-4580 (Type 1) Cylinder & Seal GP-B... EAH1-UP
234-4610 Cylinder & Seal GP-Stick EAH1-UP
234-4598 动臂油缸总成 EAH1-UP
311-9524 (Type 2) 动臂油缸总成 EAH1-UP
315-4442 (Type 1) 动臂油缸总成 EAH1-UP



## STONE: Construction machinery parts expert in China



We are committed to providing a variety of parts including bulldozers, excavators and wheel loaders for well-known brands such as Carter and Komatsu. Our product line covers a full range of OEM parts, such as Track Chain, Track Rollers, Sprocket, Excavator Buckets, Blades, Excavator Cylinders, Swing Circles, and various electrical and hydraulic components to ensure that our customers' stringent requirements for quality and performance are met.



Stone (Shanghai) Engineering Machinery Co., Ltd. is a leading supplier of engineering machinery parts, focusing on providing high-quality parts for mining companies. Since its establishment in 2004, we have been based in Shanghai, China, and have built our own brand STONE, becoming a trusted choice in the industry.